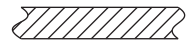
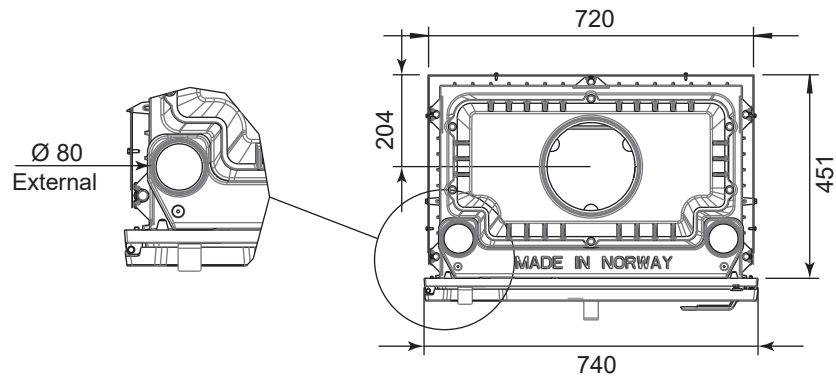
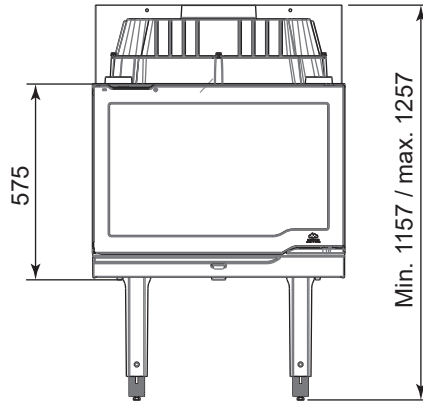
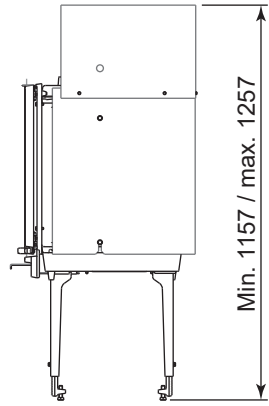


# Jøtul I 570



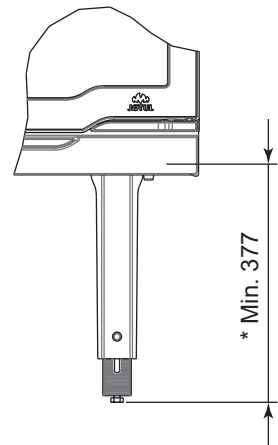
Chimney



Combustible wall

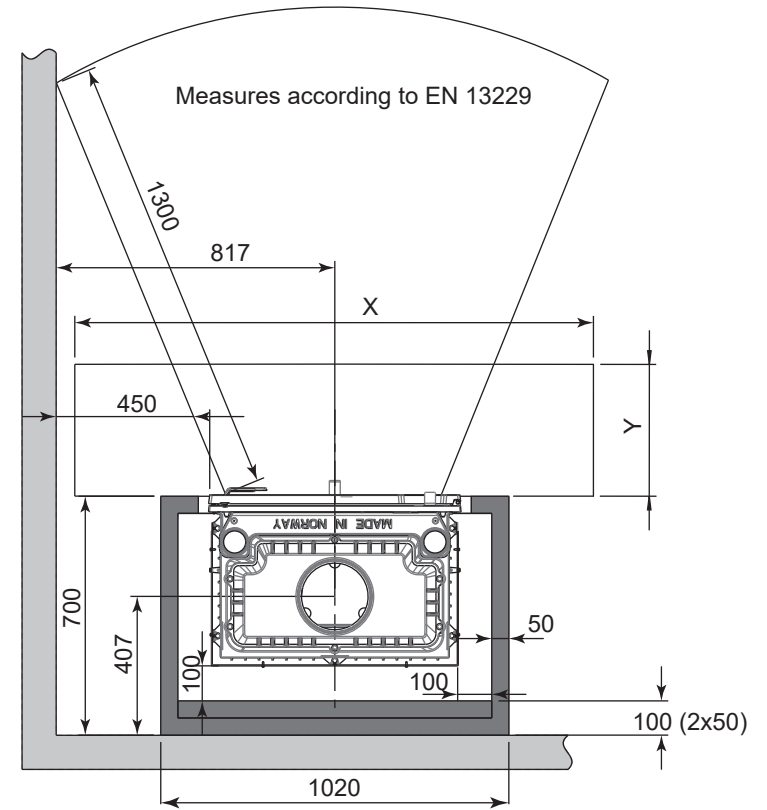


Non-combustible wall



\* Min. 377

\* NB! 377 mm is the minimum distance from the bottom plate to the combustible floor



Min. floorplate dimensions  
X / Y = dimensions according to national laws and regulations

